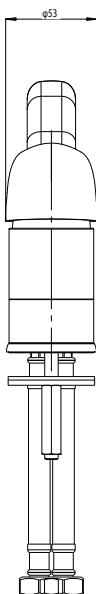
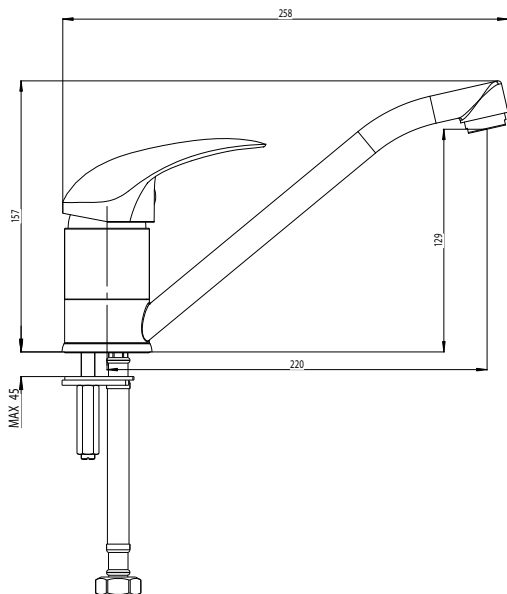


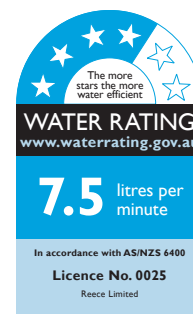
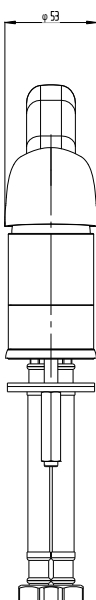
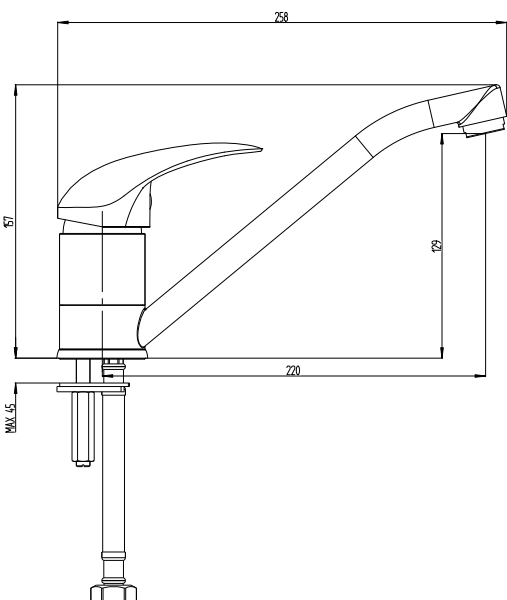
POSH

BRISTOL MK2 SINK MIXERS

Posh Bristol MK2 Sink Mixer



Posh Bristol MK2 Pressure Balancing Sink Mixer

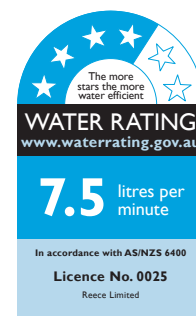
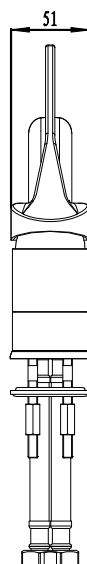
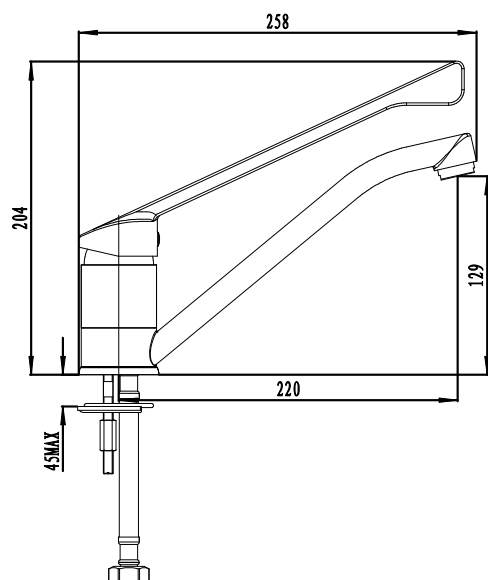


Dimensions are nominal measurements only.

POSH

BRISTOL MK2 SINK MIXERS

Posh Bristol MK2 Extended Lever Sink Mixer



Dimensions are nominal measurements only.

SPECIFICATIONS

Recommended use	Domestic, hotel and commercial
Colour availability	Chrome
Pressure rating	Maximum continuous operating pressure 1000kPa. For best performance and longer life we recommend 150-500kPa. Hot and cold water inlet pressure should be equal. Pressure Balancing Mixers Minimum operating pressure 50kPa
Temperature rating	Maximum continuous working temperature 80°C
Suitable Hot Water Units	Storage tank: Yes Continuous Flow: Yes Gravity Feed: Not recommended
Water Efficiency	4 Star Flow Rate: 7.5 L/min
Standards	AS/NZS 3718

To see the complete POSH range go to www.reece.com.au/bathrooms

CLEANING RECOMMENDATIONS

We recommend the use of soapy water or approved cleaners.

This product should not be cleaned with abrasive materials.

Damage caused by any improper treatment is not covered by the product warranty - refer to Warranty Conditions on the last page.

POSH

BRISTOL MK2 SINK MIXERS

Important Note

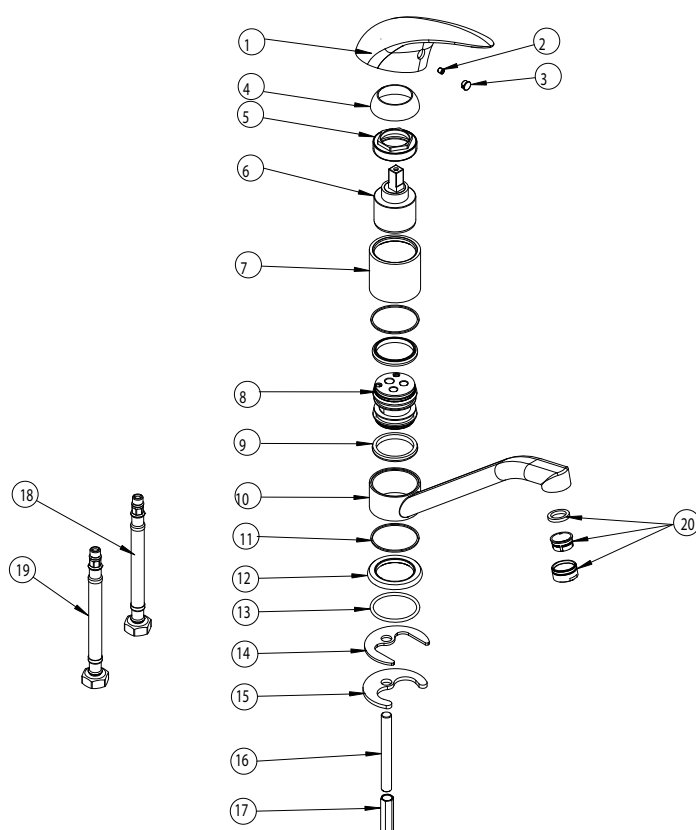
Mixer must be installed to the requirements of AS/NZS 3500 by a qualified plumber. Your mixer comes to you already factory assembled and tested. We do not recommend the dismantling of any internal part of the mixer. The mixers are factory tested and sealed so as to give the best performance.

INSTALLATION INSTRUCTIONS

1. Please flush out new pipe work prior to connecting the new mixer.
2. All mixers should be installed with isolating stop cocks (Arco brand recommended).
3. This tap is suitable for high pressure applications where both hot and cold water supply pressures are at 150kPa or above.
4. Place the sealing washer into position.
5. Fit the tap body (10) into the mounting hole making sure first that the flexible hoses (18, 19) are firmly tightened into the base of the body.
6. Do not use teflon tape on threads.
7. From underneath apply your washer prior to positioning the horse shoe plate.
8. Lock the mixer onto the basin or benchtop by tightening the lock nut (5).
9. Connect the flexible hoses to the hot and cold isolating stops, hand tighten plus half a turn of the nut to provide a watertight joint. Ensure that hoses are not under tension, twisted or kinked and if bent have a minimum radius of 30mm.
10. Check for leaks.

Servicing - Replacement of Cartridge

1. Remove cap (3) and unscrew the grub screw (2) using allen key.
2. Lift off handle (1) and remove the cartridge dome (4), unscrew brass locking nut (5) and lift out cartridge (6).
3. Replace the cartridge (6), replace the brass locking nut (5), replace the cartridge dome (4) and replace handle (1). Tighten grub screw (2) and push in indicator cap (3).



Exploded View

Item	Description
1-3.	Basin Mixer Handle Complete
4.	Cartridge Dome
5.	Cartridge Lock Nut
6.	Cartridge
7-13.	Mixer Body
14-17.	Sink Mixer Fixing Kit
18.	Flexible Hose (Hot)
19.	Flexible Hose (Cold)
20.	Aerator Complete

Plumbers, please ensure a copy of the installation instructions is left with the end user for future reference